



Feature -


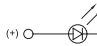
- LED illumination , Two color available
- Snap in Panel Mount installation
- Single pole / Single throw , Momentary

Applications -

- Automotive Industry
- Office appliance
- Computer Products
- Communication Equipments

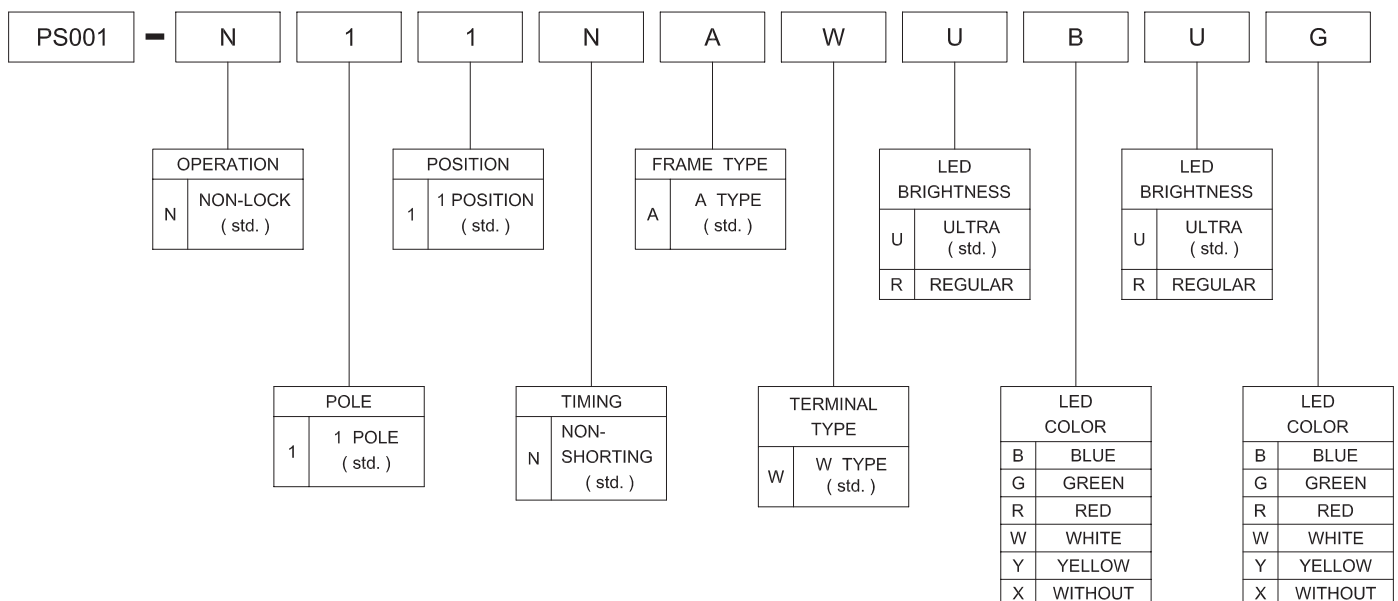
► SPECIFICATIONS

SWITCH SPECIFICATIONS	
POLE - POSITION	Momentary Type , SPST with LED
CONTACT RATING	30 V DC , 0.1 A
CONTACT RESISTANCE	50 mΩ max . 1.5 V DC ; 100 mA , by Method of Voltage DROP
INSULATION RESISTANCE	100 MΩ min . 500 V DC
DIELECTRIC STRENGTH	Breakdown is not Allowable ; 500 V AC for 1 Minute
OPERATING FORCE	250 ± 100 gf
OPERATING LIFE	50,000 cycles
OPERATING TEMPERATURE RANGE	-40°C ~ 85°C
TOTAL TRAVEL	1.8 ± 0.3 mm

LED SPECIFICATIONS							
ATTENTION  LEDs are Electrostatic Sensitive devices	Symbol 	Unit	Value / LED Color				
			Blue	Green	Red	White	Yellow
FORWARD CURRENT	If	mA	30	30	30	30	30
REVERSE VOLTAGE	Vr	V	5.0	5.0	5.0	5.0	5.0
REVERSE CURRENT	Ir	μA	50	10	10	10	10
FORWARD VOLTAGE@20mA	Vf	V	@4mA 2.5-3.5	1.7-2.6	2.0-2.5	3.3-3.8	2.2-2.7
LUMINOUS INTENSITY@20mA	Iv	mcd	@4mA 160	65-120	100	145	200

■ Physical and electrical information of LED will be provided upon customer's request on switches .

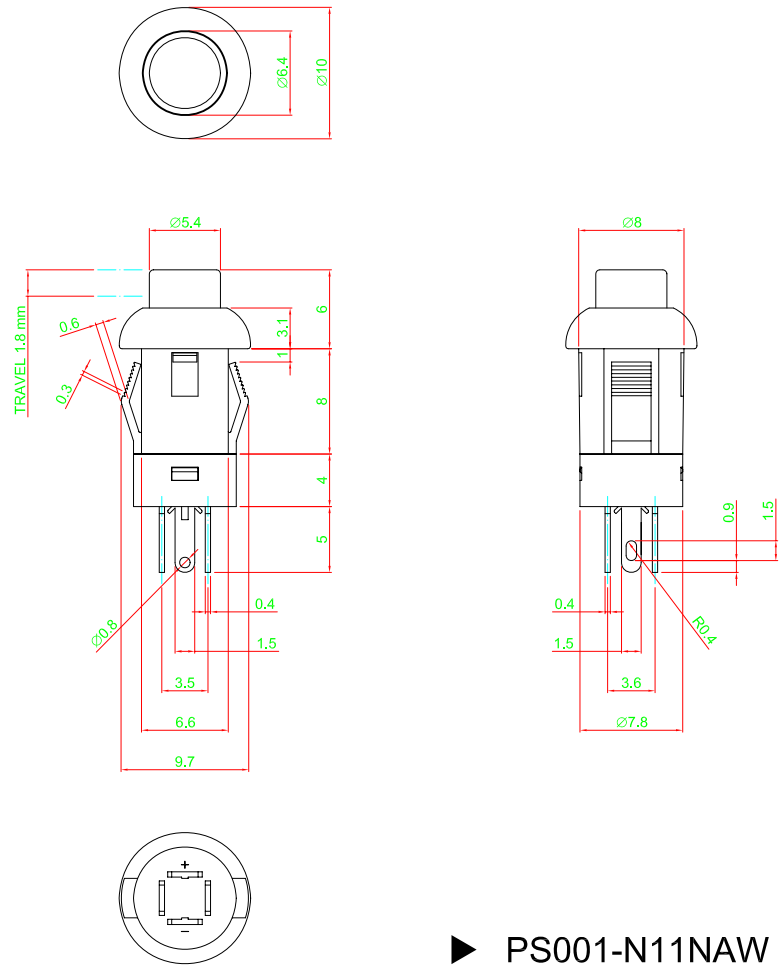
► HOW TO ORDER



PS001 SERIES

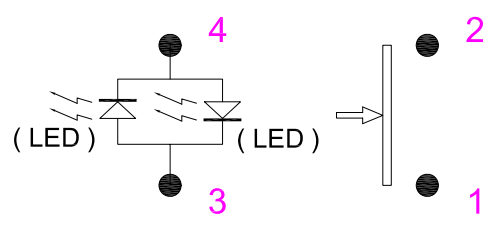
PUSH BUTTON SWITCH WITH LED

▶ DIMENSION



▶ PS001-N11NAW

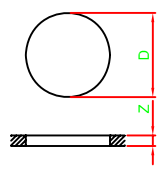
▶ LED CIRCUIT DIAGRAM



▶ MATERIAL

- COVER - PA + GF
- ACTUATOR - PC
- BASE FRAME - PA + GF
- TERMINAL - BRASS GOLD FLASH

▶ PANEL CUT OUT



Z	D
1.0 ~ 2.0	8.0 ~ 8.2
2.0 ~ 2.5	8.2 ~ 8.4
2.5 ~ 3.0	8.4 ~ 8.6

▶ UNIT WEIGHT

- PS001 - 1.2 ± 0.05 g / pcs