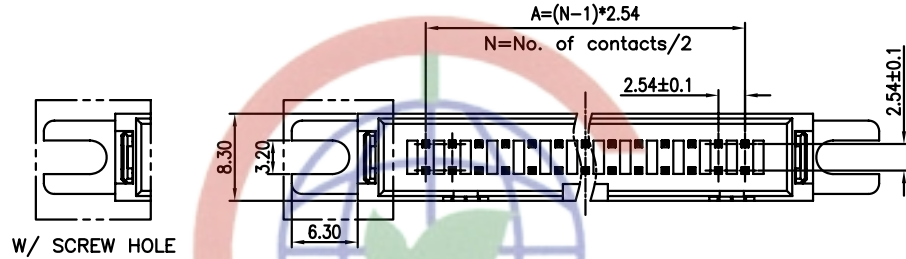
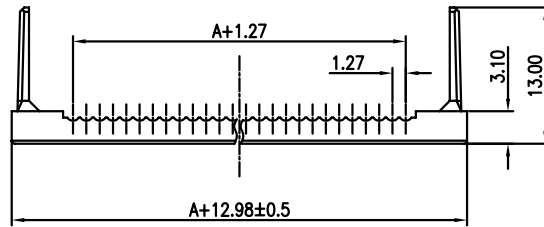
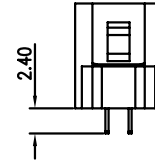
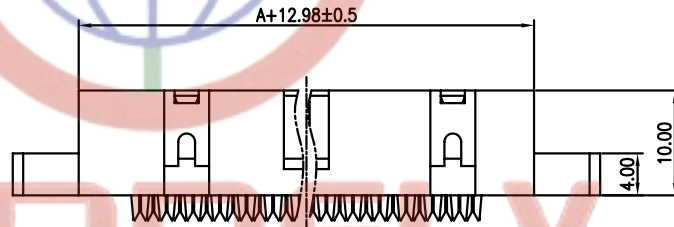
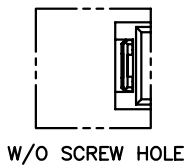


REV.	DESCRIPTION	DRAWN	CHECKED	APPROVED
A	NEW RELEASE	LL 09/11/06'		



W/ SCREW HOLE



COVER

NOTES:

1. MATERIAL

- 1.1 INSULATOR:THERMOPLASTIC(UL 94V-0).
- 1.2 CONTACT: COPPER ALLOY.

2. SPECIFICATION

- 2.1 STORAGE TEMPERATURE:-20-70°C.
- 2.2 OPERATING TEMPERATURE:0-85°C.
- 2.3 CONTACT RESISTANCE:20mΩ max.
- 2.4 INSULATION RESISTANCE:1000MΩ min.
- 2.5 DIELECTRIC WITHSTANDING VOLTAGE:AC 500V PER MINUTE.

3. PART NUMBER: DS1015

4. PRODUCT NUMBER CODE:  
DS1015- X X X X X

HOUSING COLOR  
A:GRAY

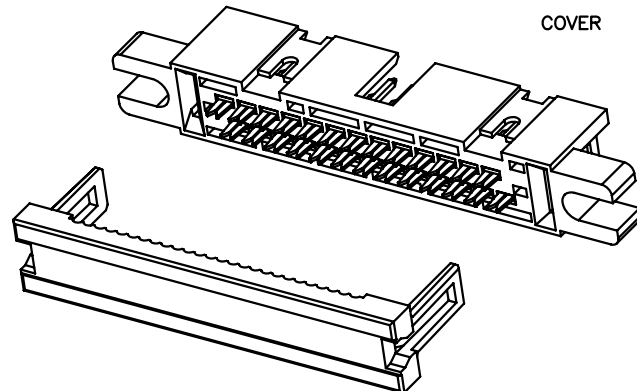
CONTACT PLATING  
0: SELECTIVE GOLD FLASH

STRAIN RELIEF  
M:W/  
N:W/O

SCREW HOLE  
M:W/  
N:W/O

No. OF CONTACTS  
10 14 16 20 24 26  
30 34 40 50 60 64

SERIES No.  
DS1015



Tel: 86-574-63508787

Fax: 86-574-63510817

GENERAL TOLERANCE		ANGLE TOLERANCE		PROJECTION		TITLE	IDC SHROUDED HEADER
X.	±0.60	X.	±5'	UNITS	mm		MATES WITH PITCH 1.27mm FLAT CABLE
.X	±0.38	.X	±3'	SHEET SIZE	A4	SERIES	DS1015 SERIES
.XX	±0.25	.XX	±2'				
DRAWING TYPE	CUSTOMER						
SCALE	1:1	SHEET	1 OF 1				
DRAWING NO.	C-DS1015-XXXXX						

晨翔电子有限公司  
**CONNFLY CONNFLY ELECTRONIC CO. LTD**