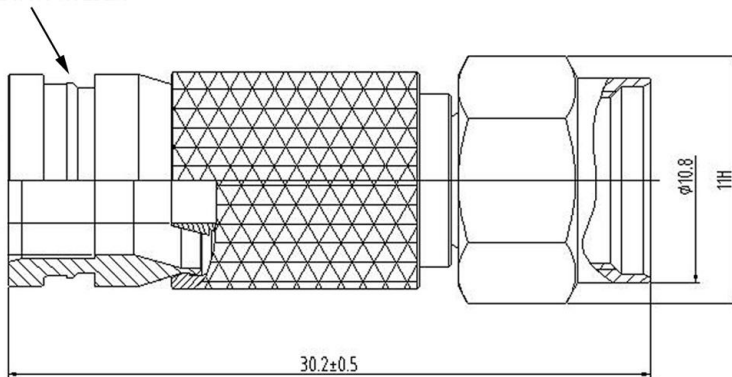


PLASTIC HOLDER



P/NO.:	HYR-WP0812X		
CUSTOMER:	CHIP & DIP		
CUST. P/N.:			
APP.	DANNY	UNITS	m/m

HOYUTEC
INTERNATIONAL CO., LTD.

1.0	NEW DRAWING	2009/06/01	CHK.	JOY	DATE	2009/06/01	DES.: WATERPROOF F CONN. MALE, W/PLASTIC HOLDER.	
VER.NO.	DESCRIPTION	DATE	DRAW.	MARK	SHEET	1/1	DRAW NO.:	VER 1.0