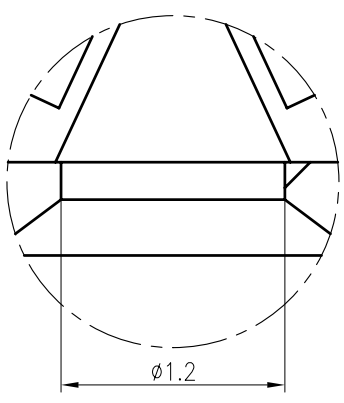
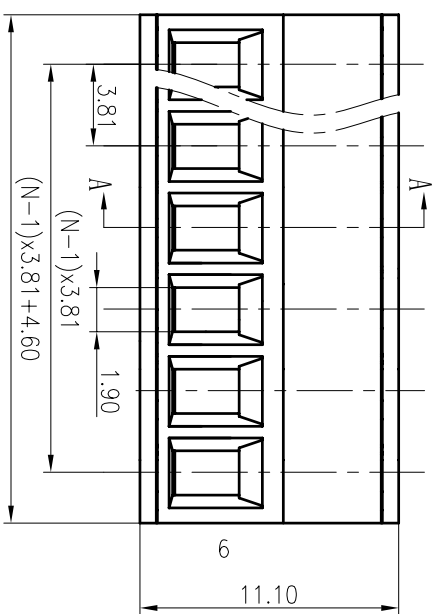


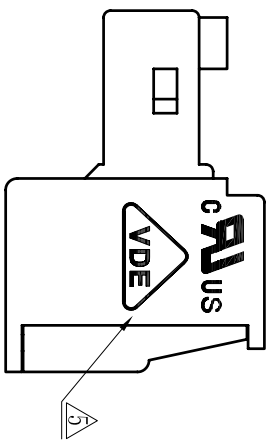
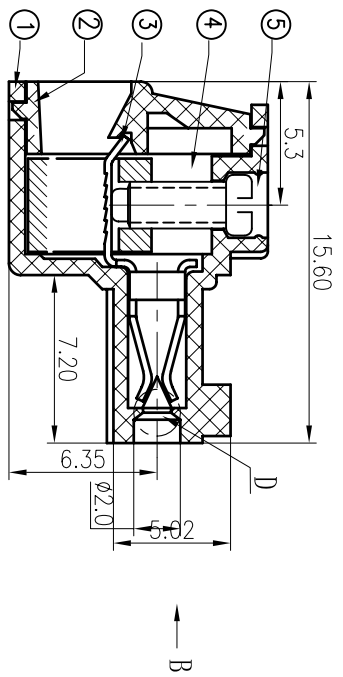
REVISION RECORD			
REV	ECO	DESCRIPTION	DRFT DATE
△		Drawing amend	WF 05/07/06*
△		Drawing amend	YeJ 05/31/08*
△		增加VDE刻字	ZengY 12/28/08*



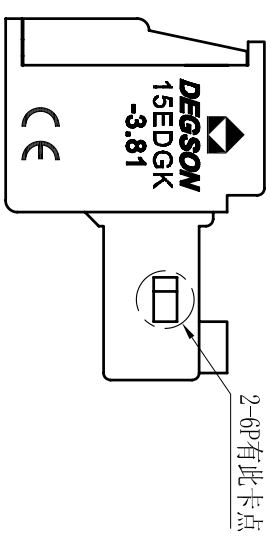
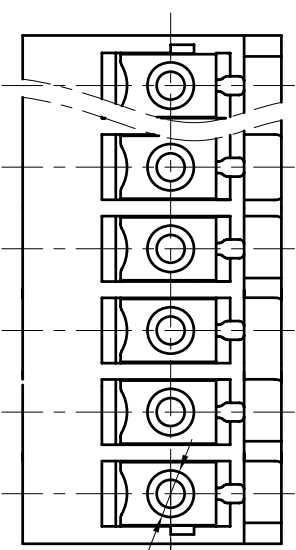
D 局部放大 (8:1)



SECTION A-A



VIEW B



2-6P有此卡点

- Notes:
1. Pitch: 3.81mm Poles: 2-24p
 2. Rated voltage/current: UL 300V/8A VDE 250V/7A
 3. Insulation resistance: 5000MΩ/DC1000V
 4. Withstanding voltage: AC2000V/1Min
 5. Wire range: 28-16AWG, 0.5-1.5mm²
 6. Temp. Range: -40° C~+105° C
 7. Torque: M2, 2.04kgf.cm
 8. Undimensioned Tolerances:

5	15EDG-Screws	S000001.360(H)	XX	Steel	Cr ³⁺ Zn
4	15EDG-Brass cage	X000000010(H)	XX	Brass	Ni plated
3	15EDG-Clamp	1001B000010(H)	XX	Phosor Bronze	Ni plated
2	15EDGK-3.81-Cover	1010C0VXXXA(H)	1	PA66	UL94V-0

ITEM	15EDGK-3.81-Housing	1010A0VXXXA(H)	1	PA66	UL94V-0
DETACHED LISTS					
TOLERANCES EXCEPT AS NOTED		DATE: 07/24/04			
MM	(INCH)	CHKO	DATE	DATE	
0.05 ±	±	MFO	DATE	DATE	
0.10 ±	±	APPL	DATE	DATE	
ANGLES ± °		MATERIAL:			
THIRD ANGLE PROJECTION		NAME: 15EDGK-3.81-XXP-1Y-00A(H)			
SCALE: 1:1		DRAWING NO.: 15EDGK-3.81-E04			
DO NOT SCALE DRAWING		/PART NO. A3			
SHEET 1 OF 1		REV 15			
		12/28/08*			