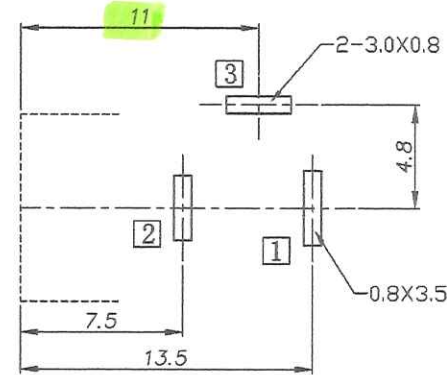
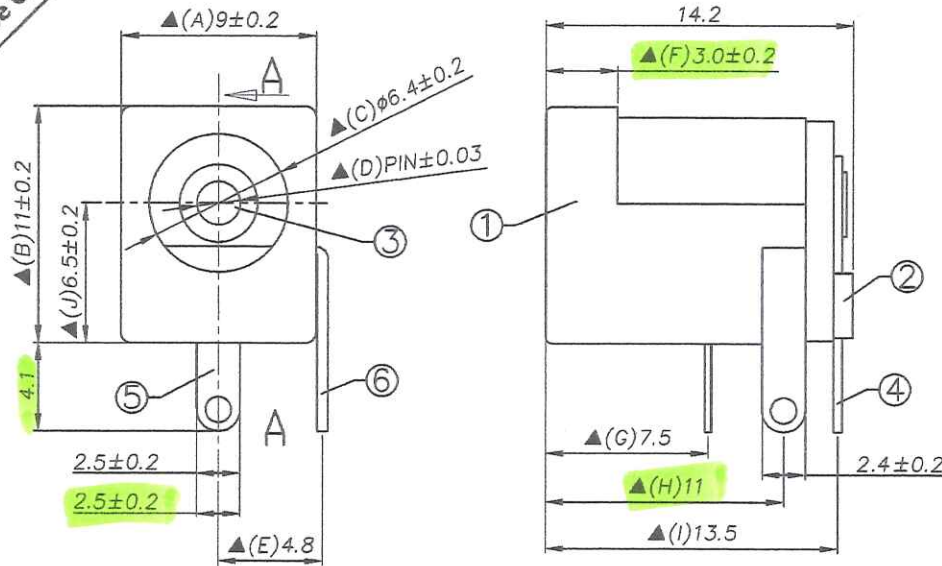
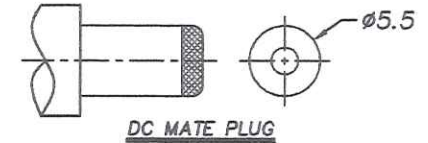


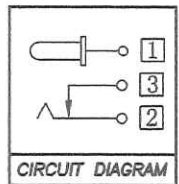
RoHS Compliant
Drawing For Reference Only



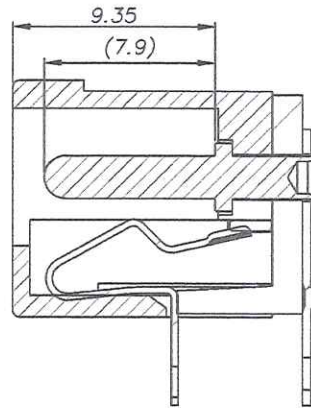
P. C. B Layout
(Copper-sided view)



MODEL NO.	PIN
DS-210B(PBT)(NB)	φ2.0
DS-210A(PBT)(NB)	φ2.5



□ : TERMINAL NO.



SEC:A-A

SPECIFICATION

1. Rating : DC 20V 4A;
2. Contact resistance: $\leq 30m\Omega$;
3. Insulation resistance: $\geq 100M\Omega$ (DC500V);
4. Withstand voltage: 500VAC ;
5. Insertion and extraction force: 3-30N;
6. life test: 5,000 cycles;
7. Operation temperature range: $-20^{\circ}C \sim 70^{\circ}C$;
8. Preservative temperature range: $-40^{\circ}C \sim 85^{\circ}C$;
9. Sign "▲" "is importance dimension.

Technical requirement :

1. This product should meet EU RoHS related requirement.
2. The surface of plastic part should be without any crackle such as burr,lack,and so on phenomenon.
3. The surface of metal part should be without any defect such as scour,nick,oxidation and plating problem.
4. The electronic performance should be the same as spec.
5. The un-specified tolerance is : $<6\pm 0.1$
6-20 ± 0.2
>20 ± 0.3

NO.	DESCRIPTION	QTY	MATERIAL	REMARK
⑥	Shunt terminal	③ 1	Brass t=0.5	Tin plating
⑤	Tip spring	② 1	Phosphor bronze t=0.30	Tin plating
④	Center pin terminal	① 1	Brass t=0.40	Tin plating
③	Center pin	① 1	Brass	CuSn/Nickel plating
②	Cover	1	PBT	
①	Housing	1	PBT	

DCI DRAGON CITY INDUSTRIES LIMITED

Item Name	DC POWER JACK	Tolerance :	Design	K.W Law	Remark	Scale
Item No.	DS-210(PBT)(NB)	Unit : mm	Drawing	W.K Yeung	Remark	Material
			Check	K.L Wong	Remark	Drawing No. A20918-1525
			Approval	K.W Chan	Remark	Sheet